

MVC²

Security/Surveillance



MVC²

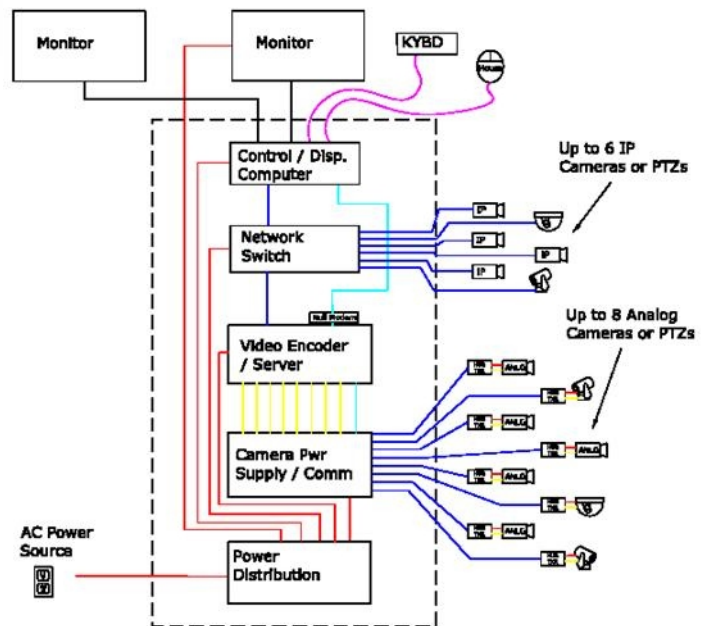
Performance Options Include:

- ♦ Up to 16 analog fixed or pan/tilt/zoom (PTZ) cameras
- ♦ Up to 14 internet protocol (IP) fixed or PTZ cameras
- ♦ Two configurable monitor outputs
- ♦ Self contained Network Video Recorder with MPEG-4 and H.264 encoding up to 24TB capacity
- ♦ Power over Ethernet (POE)
- ♦ Wireless connectivity

The MVC² provides a customized and expandable solution for mobile video command and control.

The MVC²

- ♦ Provides an endlessly configurable system that integrates with most analog and IP cameras. It simultaneously controls, displays, and records multiple cameras and supports mixed configurations--fixed and PTZ, analog and IP, visual and infrared.
- ♦ Provides a portable system, in a ruggedized case, designed to be unpacked and setup in less than 1 hour. Simply place the MVC² within 900M of the camera locations, plug into an AC source, and connect the cameras. The MVC² provides power, sends commands, and receives video on a single Cat5 cable.
- ♦ Operates as a stand-alone system or integrates with existing CCTV/IT infrastructure. Built-in DVD R/W, USB, and Ethernet interfaces provide fast and easy data retrieval.



Sample Diagram

Contact Information:
Senspex, Inc.
9798 Coors Blvd NW, Building B
Albuquerque, NM 87114-6133
Tel. 505.891.0034
www.senspex.com

SENSPEX
APPLIED SCIENCE & TECHNOLOGY